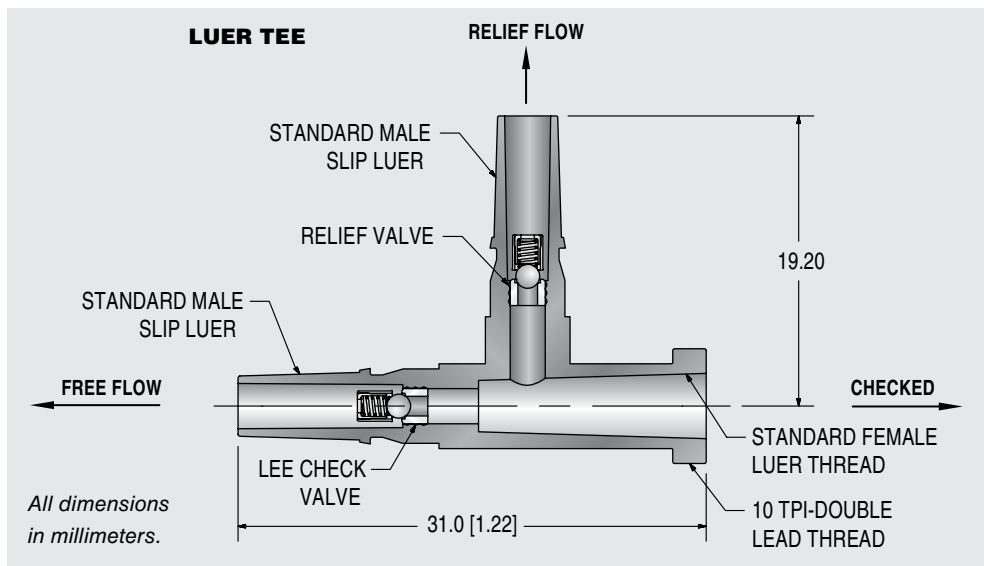
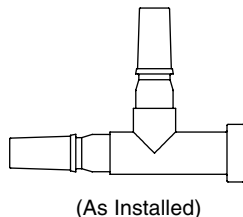




## 2.5mm RELIEF AND CHECK VALVE IN LUER TEE



### ACTUAL SIZE



### PERFORMANCE

Relief Valve Lohm Rate: 750 Lohms  
 Relief Valve Cracking Pressure Tolerance:  $\pm 15\%$   
 Relief Valve Leakage: 1 Drop/min. (max.) on water  
 Check Valve Lohm Rate: 750 Lohms  
 Check Valve Cracking Pressure:  $4 \pm 3$  kPa ( $0.6 \pm 0.4$  psid)  
 Check Valve Leakage: 1 Drop/min. (max.) on water

LEE PART NUMBER	CRACKING PRESSURE
CCPF0200100S	100 kPa (14.5 psid)
CCPF0200200S	200 kPa (29 psid)
CCPF0200300S	300 kPa (43.5 psid)

### MATERIALS

Fitting..... Polypropylene - Blue  
 Relief and Check Valve  
 Body ..... 303 Stainless Steel  
 Ball Stop .... 303 Stainless Steel  
 Spring ..... 302 Stainless Steel  
 Ball ..... 440C Stainless Steel