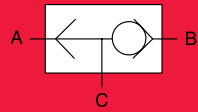
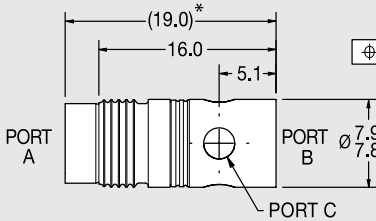


INSERT SHUTTLE VALVES



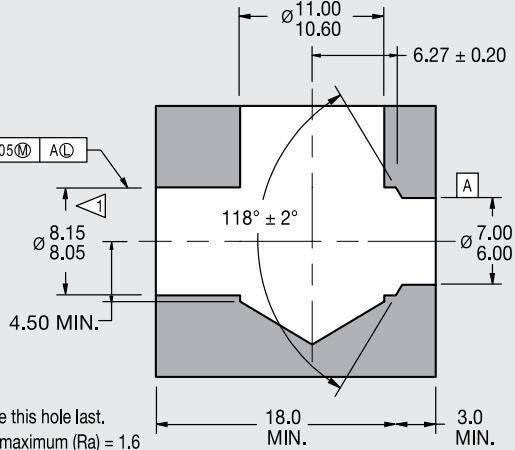
8.0mm SHUTTLE VALVE

SHUTTLE VALVE



Flow Direction:
PORT A to PORT C
or PORT B to PORT C

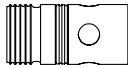
INSTALLATION HOLE



Finish machine this hole last.
Surface finish maximum (Ra) = 1.6

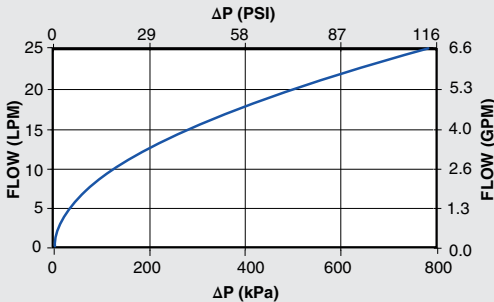
* LOA before installation.
All dimensions in millimeters.

ACTUAL SIZE



(As Installed)

ΔP vs. Flow on Water @80°F (27°C)



LEE PART NUMBER

CCSV8010000S

PERFORMANCE

Flow Rate: (A to C or B to C) 32 Lohms
max. (6.2 GPM @ 100 psid)

Shuttling

Pressure: 7 kPa (1 psi) maximum

Leakage: A to B or B to A, 1 Drop/min.
(max.) after 2 minute wait
on hydraulic fluid at
6.9-27.6 MPa (1,000 -
4,000 psid)

Maximum Working Pressure:
28 MPa (4,060 psid)

MATERIALS

Upper Body.....303 Stainless Steel
Lower Body.....303 Stainless Steel
Pin416 Stainless Steel
Ball.....440C Stainless Steel

INSTALLATION

Tool Part Number CCRT0900150S

Force 545 Kg F (min.)

635 Kg F (max.)

[View Installation Procedure](#)