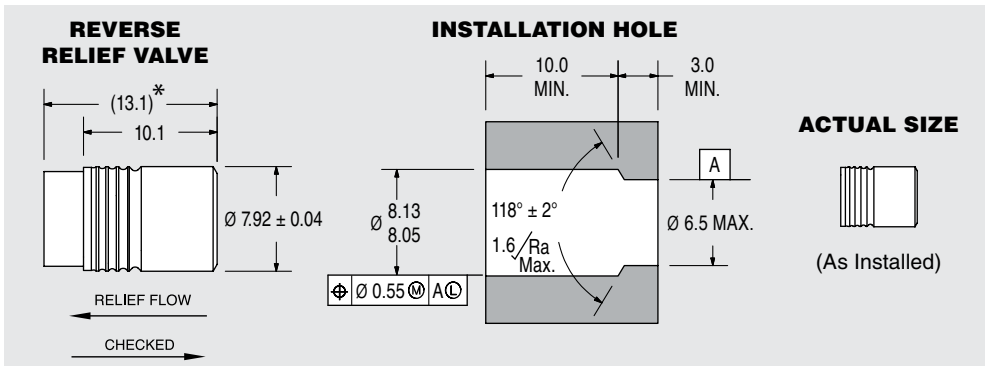


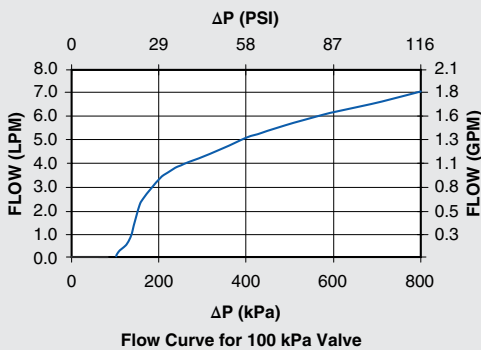
INSERT RELIEF VALVES

855 SERIES RELIEF VALVE - REVERSE FLOW



All dimensions are in millimeters.
* LOA before installation

ΔP vs. Flow on Water @ 80°F (27°C)



Flow Curve for 100 kPa Valve

PERFORMANCE

Lohm Rate: 120 Lohms
 Leakage: 20sccm/min. (max.)
 @ 172 kPa (25 psid) on air
 1 Drop/min. (max.) on hydraulic fluid
 Maximum Working Pressure:
 28 MPa (4,060 psid)
 Checked Direction
 4 MPa (580 psid)
 Flow Direction
 Cracking Pressure Tolerance: ±15%

MATERIALS

Body 303 Stainless Steel
 Cage 416 Stainless Steel
 Pin 416 Stainless Steel
 Spring 302/17-7* Stainless Steel
 Ball 440C Stainless Steel

INSTALLATION

Tool Part Number CCRT0900150S
 Force 680 Kg F (max.)

[View Installation Procedure](#)

LEE PART NO.	CRACKING PRESSURE
PCRM3800210S	100 kPa (14.5 psid)
PCRM3800215S	150 kPa (21.8 psid)
PCRM3800220S	200 kPa (29 psid)
PCRM3800225S	250 kPa (36.6 psid)
PCRM3800230S	300 kPa (43.5 psid)
PCRM3800235S	350 kPa (50.8 psid)
PCRM3800240S	400 kPa (58 psid)
PCRM3800250S	500 kPa (72.5 psid)
PCRM3800255S*	550 kPa (79.8 psid)